

DESCRIPTION

INDICATOR for:

- PROCESS ($\pm 10V$, $\pm 20mA$)
- VOLTIOS DC ($\pm(200.0V$ y $20.00V)$)
- AMPERES DC (external shunt)
- mV ($\pm 100mV$)

48 x 24 mm frontal

Fully programmable panel meter for **volts, mA and mV DC** measurement.
 -1999 ÷ 9999 display range and configurable decimal point.
 Controlled by three keys situated on the bottom of the frontal display.



TECHNICAL SPECIFICATIONS

INPUT	VOLTAGE				CURRENT
	200	20	-U-	-mV-	-A-
Range	$\pm 200V$	$\pm 20V$	$\pm 10V$	$\pm 100mV$	$\pm 20mA$
Resolution	0.1V	0.01V	1mV	0.1mV	0.01mA

INPUT IMPEDANCE

Volts	1M Ω
mV	100M Ω
mA	20 Ω

ACCURACY at 23°C $\pm 5^\circ C$

Maximum error	$\pm(0.1\% \text{ rdg} + 3 \text{ digits})$
Temperature coefficient	100 ppm/ $^\circ C$
Warm-up time	5 minutes

POWER SUPPLY AND FUSES (DIN 41661, not included)

PICA-P: 85-265V AC 50/60Hz and 100-300V DC F 0.1A/ 250V
PICA-P6: 21-53V AC 50/60Hz and 10.5-70V DC .. F 0.5A/ 250V
 Power consumption 1.8W

CONVERSION

Technique	Sigma-Delta
Resolution	± 15 bits
Conversion rate	20/s

DISPLAY

Range	-1999 ÷ 9999
Type	4 red digits 10mm
Display refresh rate	4/s
Display/input overrange indication	<i>OL</i>

ENVIRONMENTAL CONDITIONS

Operating temperature	-10 $^\circ C$ ÷ +60 $^\circ C$
Storage temperature	-25 $^\circ C$ ÷ +85 $^\circ C$
Relative humidity (non condensing)	<95% @ 40 $^\circ C$
Maximum altitude	2000m
Frontal protection degree	IP65

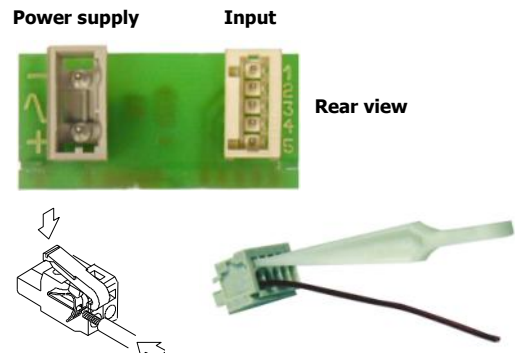
PROGRAMMING

Display range: Input	-U-	$\pm 10V$	-A-	$\pm 20mA$	-1999 ÷ 9999
Display range: Input	-mV-	$\pm(50/60/100mV)$			- 1999 ÷ 9999
Display range: Input	200	V DC calibrated range			-199.9 ÷ 199.9
Display range: Input	20	V DC calibrated range			-19.99 ÷ 19.99



Keys detail (bottom view)

CONNECTIONS

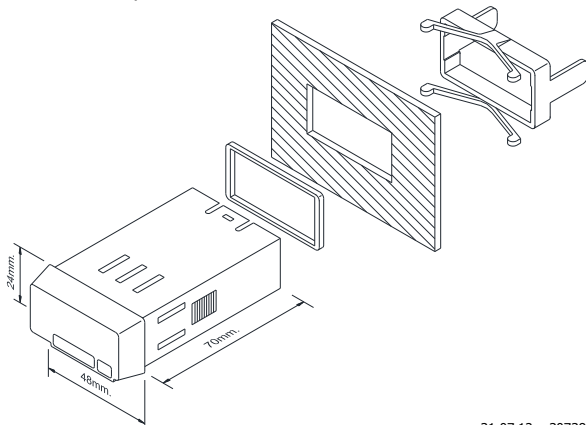


CN1	POWER SUPPLY	
	AC VERSION	DC VERSION
PIN		
1	AC LO	-V DC
2	AC HI	+V DC
CN2	SIGNAL INPUT	
1	-IN (COMMON)	
2	+(50 / 60 / 100)mV DC	
3	+20mA	
4	+(10 / 20)V DC	
5	+200V	

DIMENSIONS AND MOUNTING

Dimensions	48 x 24 x 70 mm
Panel cutout	45 x 22 mm
Weight	60g
Case material	Polycarbonate s/ UL 94 V-0

Instruments include a sealing gasket and a fixing clip for frontal and rear panel installation.



ORDERING CODES

PICA-P:85-265V AC 50/60Hz and 100-300V DC
PICA-P6: 21-53V AC 50/60Hz and 10.5-70V DC